

NEMO

Ellisse pendant double

Federico Palazzari

LED pendant lamp, available in three versions: major, minor and double, widespread direct or indirect lighting. Extruded aluminium, matt white, matt black painted, polished or glossy gold anodized. Opaline diffuser. Ellisse is manufactured through a proprietary technology to combine the extruded bars (patent pending). Major version available also for wall and floor applications, with a marble base on the floor version and with a wall kit mounting on the wall one.



NEMO

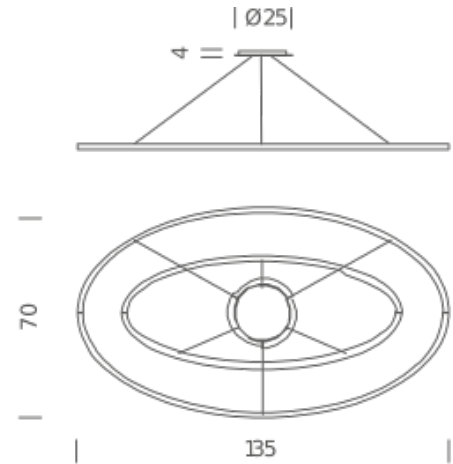
Ellisse pendant double

Federico Palazzari

LED

Lamping

Source	linear LED
Total power	90W
Emission	diffused uplight(minor), diffused downlight (major)
Switching	dimnable 1-10V
Tension	110/230V
Color temperature	3000K (gold version: 2700K)
Luminous flux	5400+3900lm
Typ cri	80
Energy class	A+
Materials	Aluminium
Notes	cable lenght 2,5m



Codes

ELP LWW 56

Structure

white

Diffuseur

ELP LNW 56

black

ELP LGW 56

gold polished anodized

ELP LLW 56

polished aluminium

Net lamp weight

5.5 Kg

Package 1

Dimensions 80x150x15

Gross weight 8 Kg