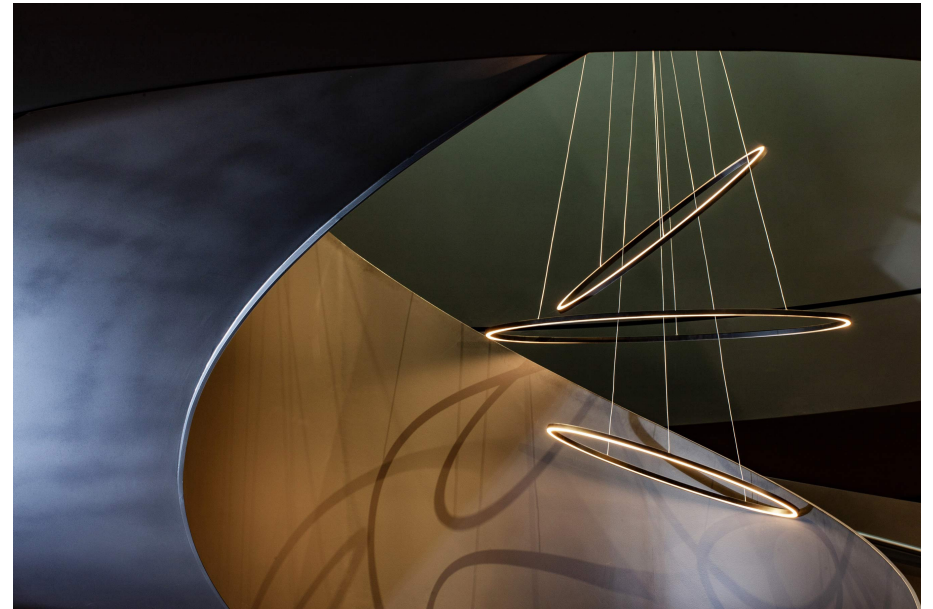


ELLISSE PENDANT TRIPLE

Federico Palazzari

Collection of LED suspension lamps in extruded aluminum made in different versions: minor, major, double and the new "oversize" triple, mega and double mega versions, for direct or indirect diffused light. Available in different finishes, matt painted in white, black and gold, natural polished and glossy gold anodized. Opal diffuser. Ellisse is realized through a proprietary technology of coupling of the extrusions. The model "Major" is also available floor and wall versions.



LED 2700K

LAMPING

Source	linear LED
Total power	90W
Emission	diffused
Switching	dimnable 1-10V
Tension	110 / 230 V
Color temperature	2700K
Luminous flux	1325+2050+1325lm (luminous output)
Typ cri	85
Energy class	A+
Notes	minor uplight-major/minor downlight, cable length 2,5m, adjustable cable length up to 0,4 m

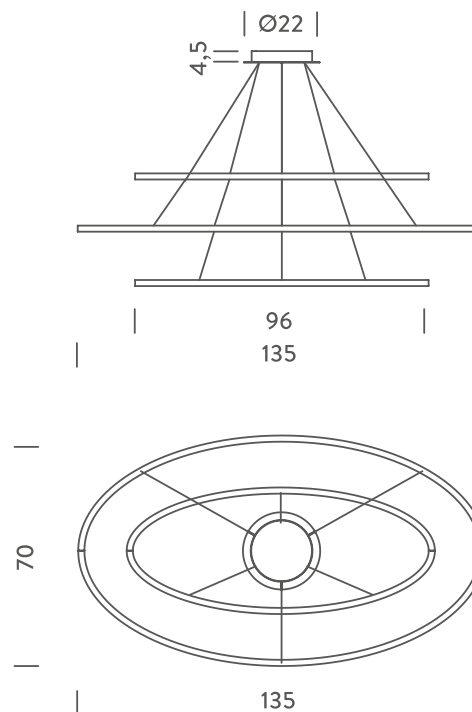
Codes

ELP LW2 57	white/white
ELP LN2 57	black/white
ELP LO2 57	gold painted/white
ELP LGW 57	gold polished anodized/white
ELP LL2 57	polished aluminium/white

PACKAGE

Package 01	15x80x150 cm / Gross weight: 7,5 Kg
------------	-------------------------------------

Certificazioni



LED 3000K

LAMPING

Source	linear LED
Total power	90W
Emission	diffused
Switching	dimnable 1-10V
Tension	110 / 230 V
Color temperature	3000K
Luminous flux	1325+2050+1325lm (luminous output)
Typ cri	85
Energy class	A+
Notes	minor uplight-major/minor downlight, cable length 2,5m, adjustable cable length up to 0,4 m

Codes

ELP LLW 57
ELP LOW 57
ELP LNW 57
ELP LWW 57

Structure/Diffuser

polished aluminium/white
gold painted/white
black/white
white/white

PACKAGE

Package 01 15x80x150 cm / Gross weight: 7,5 Kg

Certificazioni

