

ASTEROIDE

Pendant lamp in triplex blown glass, opal matt white. Metal parts chromed or painted in white.



? 30 FLUO/LED/HALO

LAMPING

Source	E27 A60
Total power	100W
Emission	diffused
Switching	dimnable, according to bulb
Tension	230V
Materials	metal + glass
Notes	cable lenght max 1,5m

Codes

AST EHC 52
AST EWC 52

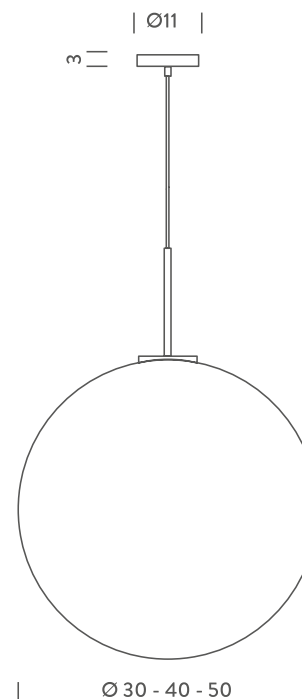
Structure/Diffuser

chrome/opal white
white/opal white

PACKAGE

Package 01	20x20x28 cm / Gross weight: 1 Kg
Package 02	40x40x40 cm / Gross weight: 3.2 Kg

Certificazioni



? 40 FLUO/LED/HALO

LAMPING

Source	E27 A60
Total power	150W
Emission	diffused
Switching	dimnable, according to bulb
Tension	230V
Materials	metal + glass
Notes	cable lenght max 1,5m

Codes

AST EHC 53
AST EWC 53

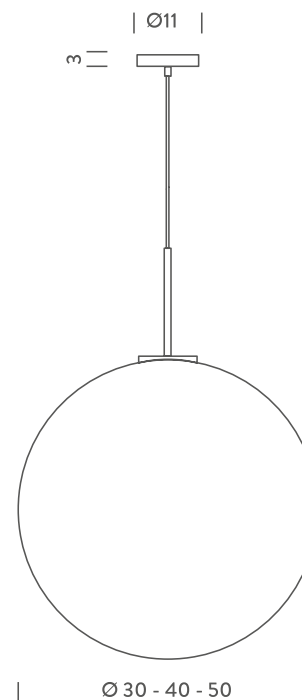
Structure/Diffuser

chrome/opal white
white/opal white

PACKAGE

Package 01	20x20x28 cm / Gross weight: 1 Kg
Package 02	50x50x50 cm / Gross weight: 4.5 Kg

Certificazioni



? 50 FLUO/LED/HALO

LAMPING

Source	E27 A60
Total power	150W
Emission	diffused
Switching	dimnable, according to bulb
Tension	230V
Materials	metal + glass
Notes	cable lenght max 1,5m

Codes

AST EHC 54
AST EWC 54

Structure/Diffuser

chrome/opal white
white/opal white

PACKAGE

Package 01	20x20x28 cm / Gross weight: 1.1 Kg
Package 02	60x60x60 cm / Gross weight: 7 Kg

Certificazioni

