

KEPLER

Arihiro Miyake

Pendant lamps available in two sizes Kepler e Kepler Minor.

The structure is a painted aluminum extrusion, whose continuous line is made through a three-dimensional machining process engineered by Nemo and designed on the basis of the geometric principle of the Moebius strip.

Available in “up” versions with upward light source and downward “down” versions in matt white, black and gold painted finishes.



DOWNLIGHT 2700K

LAMPING

Source	linear LED
Total power	86W
Emission	direct
Switching	dimmable 1-10V
Tension	110/240V
Color temperature	2700K
Luminous flux	4500lm (luminous output)
Typ cri	85
Energy class	A+
Materials	aluminium + PC
Notes	adjustable cable length from 2,5m to 0,4m, DALI version on request

Codes

KEP LWW 54
KEP LNN 54
KEP LOW 54

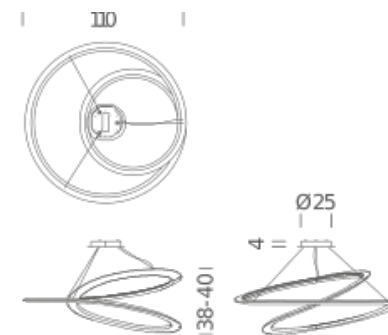
Structure

white
black
gold painted

PACKAGE

Package 01

Dimension: 121x121x52 cm / Gross weight: 19 kg



DOWNLIGHT 3000K

LAMPING

Source	linear LED
Total power	86W
Emission	direct
Switching	dimmable 1-10V
Tension	110/240V
Color temperature	3000K
Luminous flux	4500lm (luminous output)
Typ cri	85
Energy class	A+
Materials	aluminium + PC
Notes	adjustable cable length from 2,5m to 0,4m, DALI version on request

Codes

KEPLWW 52
KEP LNN 52
KEP LOW 52

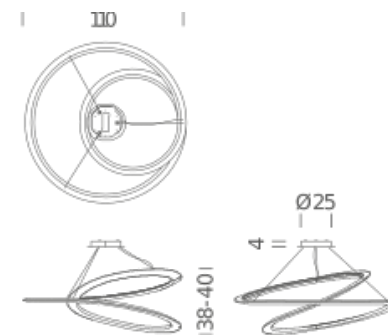
Structure

white
black
gold painted

PACKAGE

Package 01

Dimension: 121x121x52 cm / Gross weight: 19 kg



UPLIGHT 2700K

LAMPING

Source	linear LED
Total power	86W
Emission	indirect
Switching	dimmable 1-10V
Tension	110/240V
Color temperature	2700K
Luminous flux	4500lm (luminous output)
Typ cri	85
Energy class	A+
Materials	aluminium + PC
Notes	adjustable cable length from 2,5m to 0,4m, DALI version on request

Codes

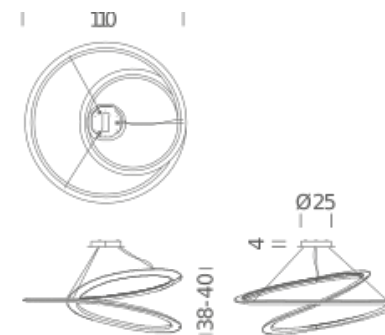
KEP LWW 53
KEP LNN 53
KEP LOW 53

Structure

white
black
gold painted

PACKAGE

Package 01 Dimension: 121x121x52 cm / Gross weight: 19 kg



UPLIGHT 3000K

LAMPING

Source	linear LED
Total power	86W
Emission	indirect
Switching	dimmable 1-10V
Tension	110/240V
Color temperature	3000K
Luminous flux	4500lm (luminous output)
Typ cri	85
Energy class	A+
Materials	aluminium + PC
Notes	adjustable cable length from 2,5m to 0,4m, DALI version on request

Codes

KEP LWW 51
KEP LNN 51
KEP LOW 51

Structure

white
black
gold painted

PACKAGE

Package 01

Dimension: 121x121x52 cm / Gross weight: 19 kg

