

# ZENA

*Roberto Paoli*

The clean silhouette of Zena is the result of a rigorous research of geometrical design that leads to the conception of an essential and powerful artefact featuring significant lighting performances. Zena represents a revolution in the world of wall lamps, a contemporary experiment that transforms the wall lamp from a traditionally static object into a dynamic and sophisticated element, an important synthesis of lightness, power and comfort. Zena features a recyclable aluminium extrusion.



# ZENA - IP20 | 2700K

## LAMPING

Source	linear LED
Total power	30W
Emission	indirect
Switching	dimnable TRIAC
Tension	230V
Color temperature	2700K
Luminous flux	3000lm
Typ CRI	85
IP class	20
Dimensions	26x8,5x7cm
Materials	Aluminum + PC/ABS
Net lamp weight	1 kg

## Codes

ZEN LW2 31  
ZEN LN2 31

## Structure/Diffuser

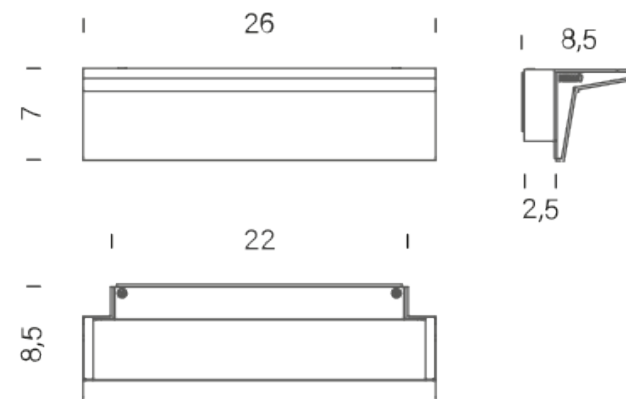
white/opal  
black/opal

## PACKAGE

Package 01

Dimension: 15x15x35 cm / Gross weight: 1,5 kg

## Certificazioni



# ZENA - IP20 | 3000K

## LAMPING

Source	linear LED
Total power	30W
Emission	indirect
Switching	dimnable TRIAC
Tension	230V
Color temperature	3000K
Luminous flux	3000lm
Typ CRI	85
IP class	20
Dimensions	26x8,5x7cm
Materials	Aluminum + PC/ABS
Net lamp weight	1 kg

## Codes

ZEN LWW 31  
ZEN LNW 31

## Structure/Diffuser

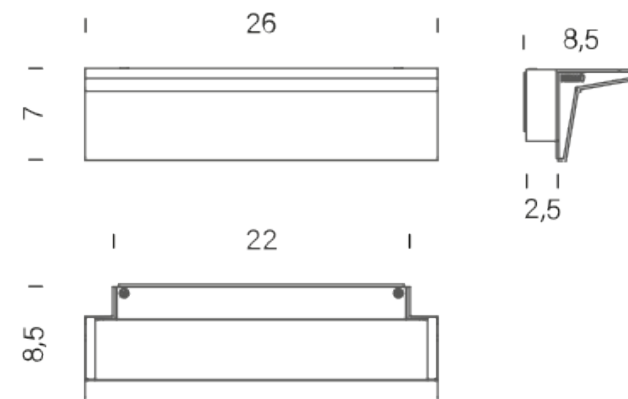
white/opal  
black/opal

## PACKAGE

Package 01

Dimension: 15x15x35 cm / Gross weight: 1,5 kg

## Certificazioni



# ZENA - IP44 | 2700K

## LAMPING

Source	linear LED
Total power	30W
Emission	indirect
Switching	dimnable TRIAC
Tension	230V
Color temperature	2700K
Luminous flux	3000lm
Typ CRI	85
IP class	44
Dimensions	26x8,5x7cm
Materials	Aluminum + PC/ABS
Net lamp weight	1 kg

## Codes

ZEN LN2 33  
ZEN LW2 33

## Structure/Diffuser

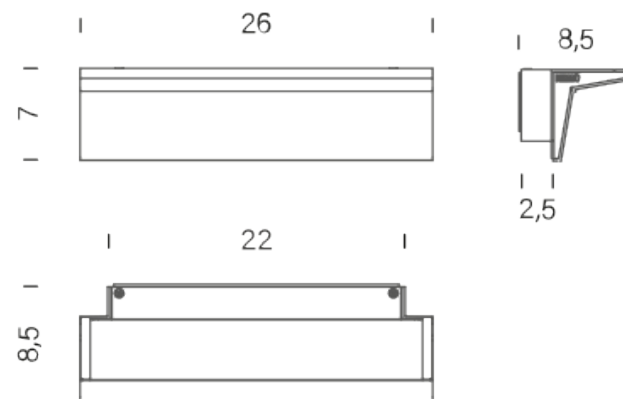
black/opal  
white/opal

## PACKAGE

Package 01

Dimension: 15x15x35 cm / Gross weight: 1,5 kg

## Certificazioni



# ZENA - IP44 | 3000K

## LAMPING

Source	linear LED
Total power	30W
Emission	indirect
Switching	dimnable TRIAC
Tension	230V
Color temperature	3000K
Luminous flux	3000lm
Typ CRI	85
IP class	IP44
Dimensions	26x8,5x7cm
Materials	Aluminum + PC/ABS
Net lamp weight	1 kg

## Codes

ZEN LNW 33  
ZEN LWW 33

## Structure/Diffuser

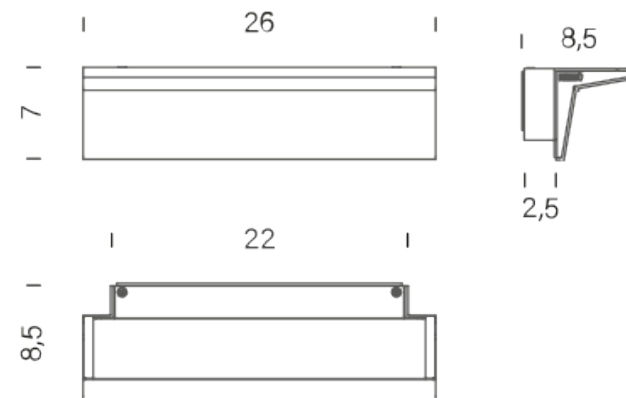
black/opal  
white/opal

## PACKAGE

Package 01

Dimension: 15x15x35 cm / Gross weight: 1,5 kg

## Certificazioni



# ZENA 60 - IP20 | 2700K

## LAMPING

Source	LED board
Total power	28W
Switching	dimnable TRIAC
Tension	230V
Color temperature	2700K
Luminous flux	3000lm
Typ CRI	85
IP class	20
Dimensions	60x7x8,5
Materials	aluminium
Notes	white RAL 9003, black RAL 9005

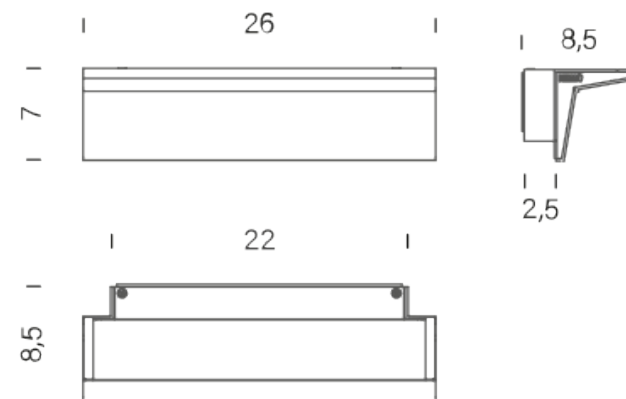
## Codes

ZEN LW2 34  
ZEN LN2 34

## Structure

white opal  
black opal

## Certificazioni



# ZENA 60 - IP20 | 3000K

## LAMPING

Source	LED board
Total power	28W
Switching	dimnable TRIAC
Tension	230V
Color temperature	3000K
Luminous flux	3000lm
Typ CRI	85
IP class	20
Dimensions	60x7x8,5
Materials	aluminium
Notes	white RAL 9003, black RAL 9005

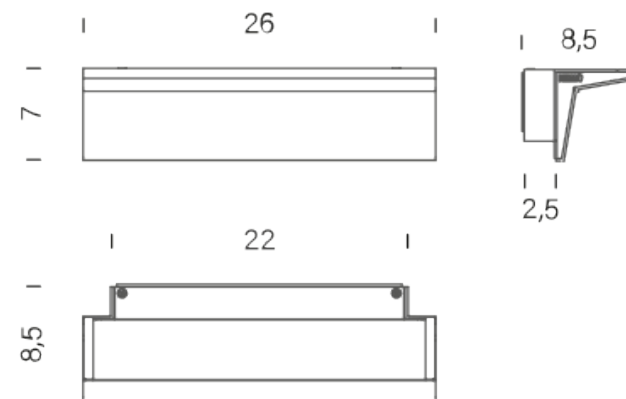
## Codes

ZEN LWW 34  
ZEN LNW 34

## Structure

white opal  
black opal

## Certificazioni



## ZENA 60 - IP44 | 2700K

### LAMPING

Source	LED board
Total power	28W
Switching	dimnable TRIAC
Tension	230V
Color temperature	2700K
Luminous flux	3000lm
Typ CRI	85
IP class	44
Dimensions	60x7x8,5
Materials	aluminium
Notes	white RAL 9003, black RAL 9005

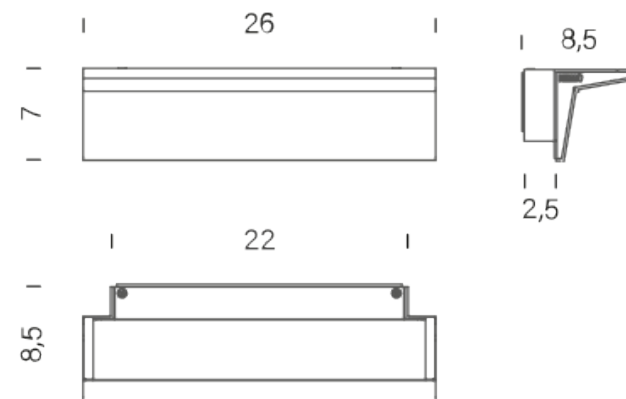
### Codes

ZEN LW2 35  
ZEN LN2 35

### Structure

white opal  
black opal

### Certificazioni





# ZENA 60 - IP44 | 3000K

## LAMPING

Source	LED board
Total power	28W
Switching	dimnable TRIAC
Tension	230V
Color temperature	3000K
Luminous flux	3000lm
Typ CRI	85
IP class	44
Dimensions	60x7x8,5
Materials	aluminium
Notes	white RAL 9003, black RAL 9005

## Codes

ZEN LWW 35  
ZEN LNW 35

## Structure

white opal  
black opal

## Certificazioni

